

**Heavy-Duty Barstock Type, Reduced Port  
1 Piece Thread End Ball Valve  
Pressure Rating: 2000 PSI (W.O.G)  
Size: 1/4"-2"**



AF-14

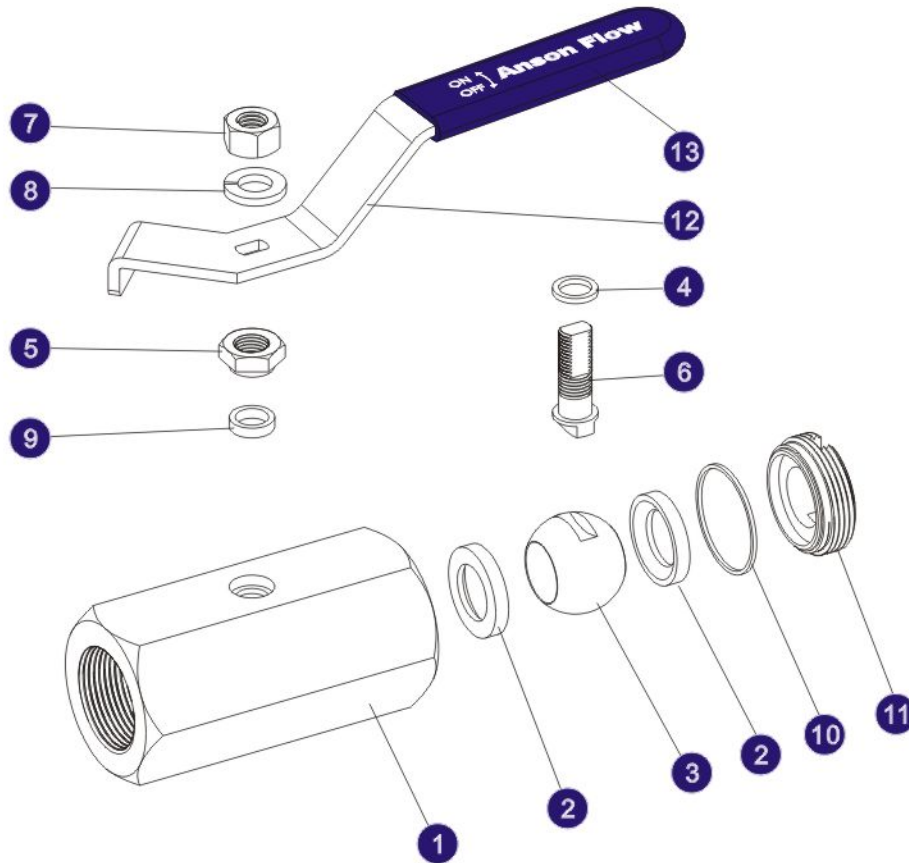
## *Features*

- Blowout Proof Stem
- Low Operating Torque
- Locking Device (Option)
- Testing & Inspection: API 598 (EN12266-1,2)



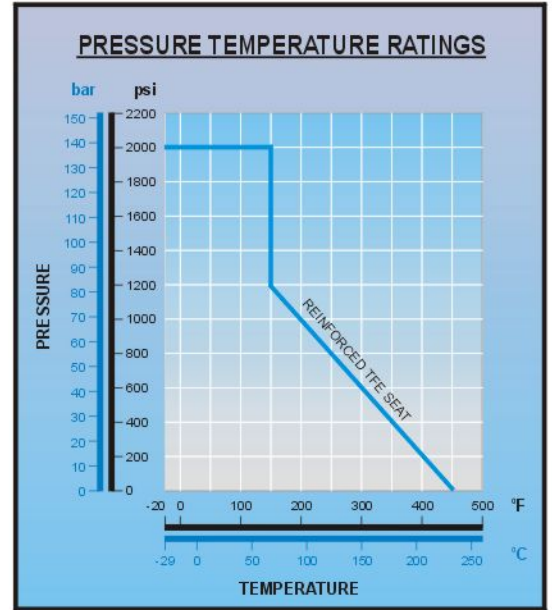
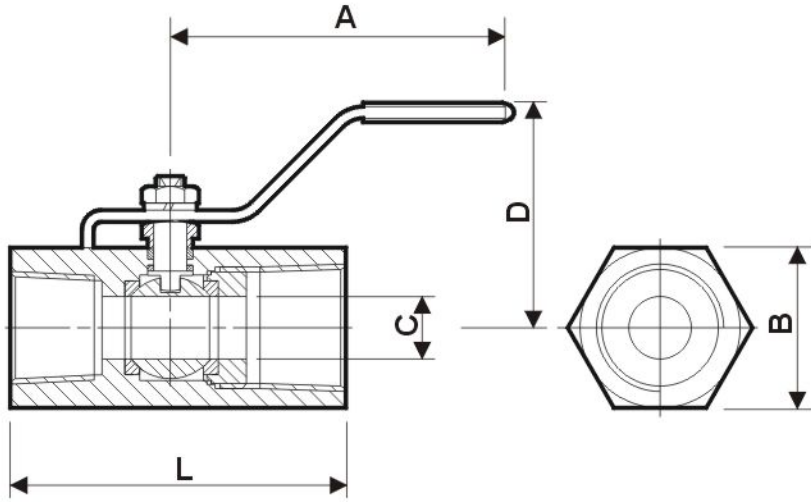
ISO 9001 REGISTERED

## Material Specifications



NO.	PART	CARBON STEEL	QTY
1	BODY	ASTMA108 - CARBON STEEL	1
2	SEAT	REINFORCED TFE	2
3	BALL	ASTMA351 Gr. CF8M/304	1
4	THRUST WASHER	PTFE	1
5	STEM NUT	ZINC PLATED STEEL	1
6	STEM	ASTMA276 - 304	1
7	HANDLE NUT	ZINC PLATED STEEL	1
8	HANDLE WASHER	ZINC PLATED STEEL	1
9	STEM PACKING	PTFE	1
10	GASKET	PTFE	1
11	CAP	ASTMA108 - CARBON STEEL	1
12	HANDLE	ZINC PLATED STEEL	1
13	HANDLE SLEEVE	PVC	1

## Valve Dimensions



Size	Dimension in mm					Torque	Weight
	A	B	C	D	L		
1/4"	67.0	17.0	5.0	34.0	43.0	16.0	0.08
3/8"	80.0	21.0	7.0	34.0	47.0	16.0	0.12
1/2"	110.0	29.0	9.1	60.0	62.0	28.0	0.31
3/4"	110.0	35.0	12.5	64.0	70.0	35.0	0.45
1"	122.0	41.0	16.0	67.0	86.0	45.0	0.67
1-1/4"	148.0	57.0	20.0	79.0	94.0	70.0	1.42
1-1/2"	148.0	57.0	25.0	79.0	102.0	85.0	1.44
2"	154.0	72.5	32.0	90.0	114.0	110.0	2.58

## How To Order

**AF-14 05 W P**

Type	Size		Body Material		Seat	
AF-14	01	1/4"	W	ASTM A108	P	PTFE
	02	3/8"			R	R-PTFE
	03	1/2"				
	04	3/4"				
	05	1"				
	06	1-1/4"				
	07	1-1/2"				
	08	2"				