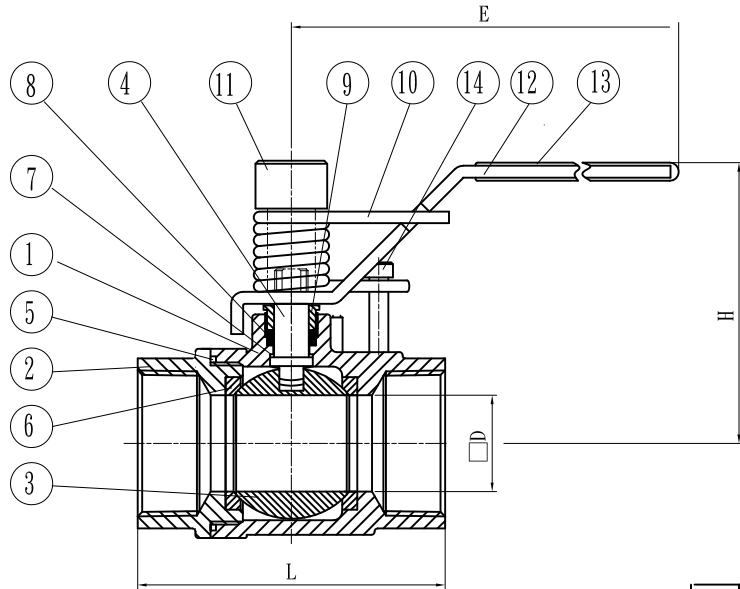


2-PC SPRING RETURN BALL VALVE  
REDUCED BORE  
1/4"-2" 2000WOG



### ■ MATERIALS LIST

NO.	PART NAME	Q' TY	MATERIAL
1	BODY	1	CF8M
2	END CAP	1	CF8M
3	BALL	1	SUS316
4	STEM	1	SUS316
5	BODY SEAL	1	PTFE
6	SEAT	2	TFM1600
7	STEM SEAL	1	PTFE
8	STEM PACKING	1	PTFE
9	GLAND NUT	1	SUS304
10	SPRING	1	STEEL
11	BOLT	1	STEEL
12	HANDLE	1	SUS304
13	HANDLE SLEEVE	1	VINYL
14	STOPPER BOLT	1	STEEL

### ■ DIMENSIONS( mm )

SIZE	□ D	E	H	L	G1	G2
1/4"	9.5	119	58	52	28	12.7
3/8"	9.5	119	58	52	28	12.7
1/2"	12.7	119	61	62	28	12.7
3/4"	15	137	70	69	35	22.4
1"	20	137	73	83	35	22.4
1 1/4 "	25	177	86	90	38.1	25.4
1 1/2 "	32	177	92	104	38.1	25.4
2"	38	216	104	117	38.1	25.4

							REV					
							MATERIAL	APPROVE	CHECK	DRAWN BY	Lawrence	
							SCALE	free	UNIT	mm	DATE	2013.10.16
							PART NO	AF-24-SRH		Q'TY	1	
							OTHER					
							A3	DWG NO	AF-24-SRH	TITLE	2-PC Ball Valve With Spring Return Handle	
REV	DATE	DESCRIPTION	CODE	REVISOR	REMARKS							