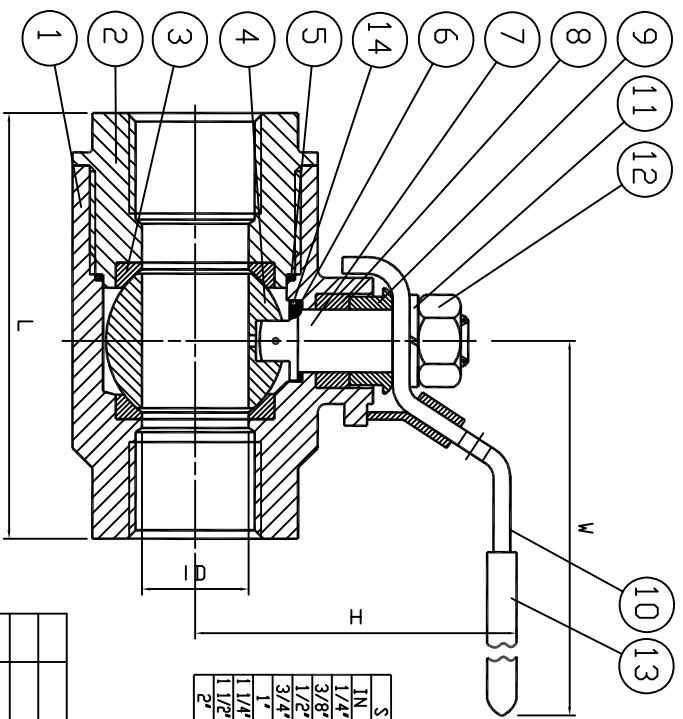
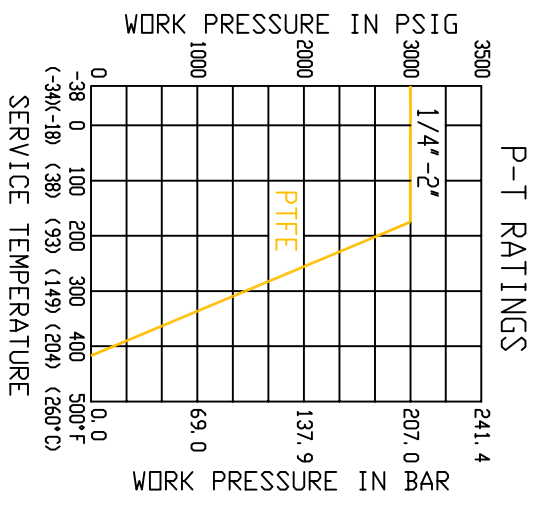
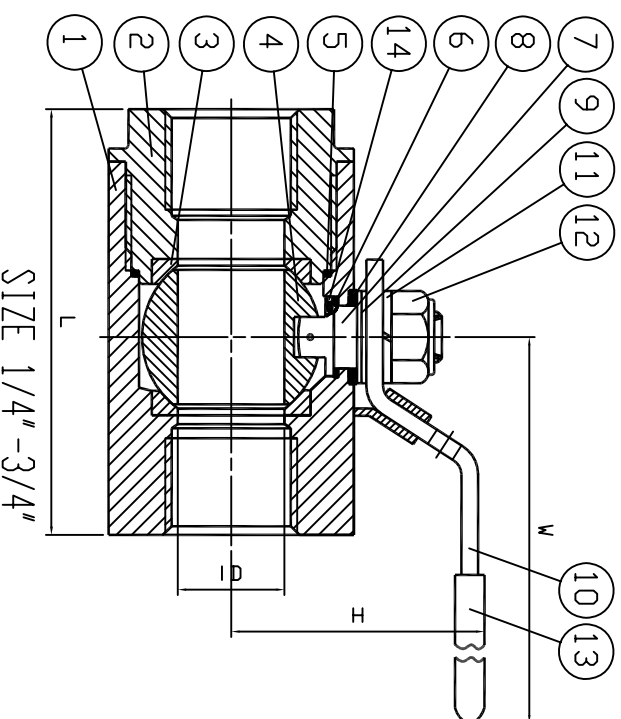


AF-26 FIRE-SAFE API607 5TH EDITION 2005

TWO PIECE FULL PORT BALL VALVE, SCREWED ENDS
 SIZE : 1/4"-2"

PRESSURE : 1/4"-2", 3000PSI (W.D.G.)

STAINLESS STEEL : 316 BODY, WITH 316 SS TRIM
 CARBON STEEL : WCB BODY, WITH 316 SS TRIM
 ANTISTATIC SIZE 1/4"-3/4"



SIZE	DN	IN	MM	L	IN	MM	H	IN	MM	V	IN	MM	Weights
1/4"	8	0.50	12.7	2.72	69.0	2.64	67.0	4.80	122.0	0.7	0.7	0.7	0.7
3/8"	10	0.75	19.0	3.48	88.5	2.91	74.0	5.83	148.0	0.7	0.7	0.7	0.7
1/2"	15	1.00	25.4	4.02	102.0	3.15	80.0	6.61	168.0	1.1	1.1	1.1	1.1
3/4"	20	1.26	32.0	4.55	115.5	3.39	86.0	2.4	2.4	2.4	2.4	2.4	2.4
1"	25	1.50	38.0	4.88	124.0	4.76	121.0	10.23	260.0	3.8	3.8	3.8	3.8
1 1/2"	40	1.75	44.5	5.87	149.0	4.96	126.0			5.9	5.9	5.9	5.9

ITEM	DESCRIPTION	STAINLESS STEEL	CARBON STEEL	Q'TY
1	BODY	ASTM A351-CF8M	ASTM A216-WCB/A108	1
2	END CAP	ASTM A351-CF8M	ASTM A216-WCB/A108	1
3	SEAT		PTFE	2
4	BALL	ASTM A351-CF8M/316	ASTM A351-CF8M/316	1
5	GASKET		GHAHPHITE	1
6	THRUST WASHER		GHAHPHITE	1
7	STEM	ASTM A276-316	ASTM A276-316	1
8	STEM PACKING		GHAHPHITE	1
9	BELLEVILLE WASHER		ZINC PLATED STEEL	2
10	HANDLE	AISI 304		1
11	HANDLE WASHER		AISI 304	1
12	ANTI-VIBRATION NUT		AISI 304	1
13	HANDLE COVER		PVC	1
14	ANTISTATIC		AISI 304	2

SIZE 1"-2"

ITEM	DESCRIPTION	STAINLESS STEEL	CARBON STEEL	Q'TY
1	BODY	ASTM A351-CF8M	ASTM A216-WCB/A108	1
2	END CAP	ASTM A351-CF8M	ASTM A216-WCB/A108	1
3	SEAT		PTFE	2
4	BALL	ASTM A351-CF8M/316	ASTM A351-CF8M/316	1
5	GASKET		GHAHPHITE	1
6	THRUST WASHER		GHAHPHITE	1
7	STEM	ASTM A276-316	ASTM A276-316	1
8	STEM PACKING		GHAHPHITE	1
9	GLAND		AISI 304	1
10	HANDLE	AISI 304	ZINC PLATED STEEL	1
11	HANDLE WASHER		AISI 304	1
12	HANDLE NUT		AISI 304	1
13	HANDLE COVER		PVC	1
14	ANTISTATIC		AISI 304	2

REV	DATE	DESCRIPTION	CODE	REVISER	REMARKS	APPROVE	CHECK	SCALE	UNIT	DATE	DATE	DATE	DATE
						1/4"-2"		FREE	mm	2005.10.25			
						3000 PSI		AF-26					
						FIRE-SAFE							
						API 607							

REV	1
APPROVE	FREE
CHECK	mm
SCALE	DATE
PART NO	DATE
DWG NO	DATE
AF-26	DATE
TITLE	DATE
2-PC THREAD END BALL VALVE	DATE

Flow Anson Flow Corp.