

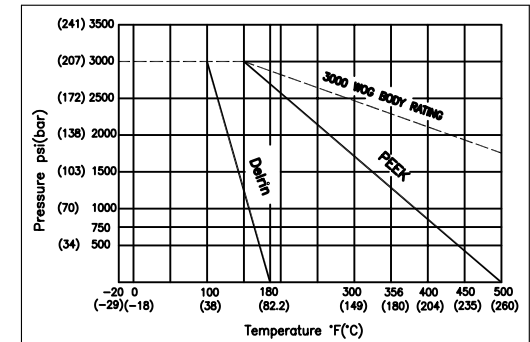
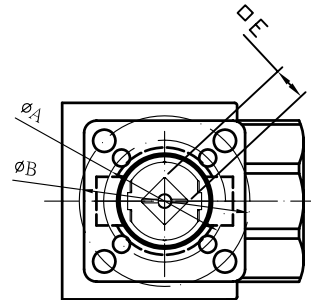
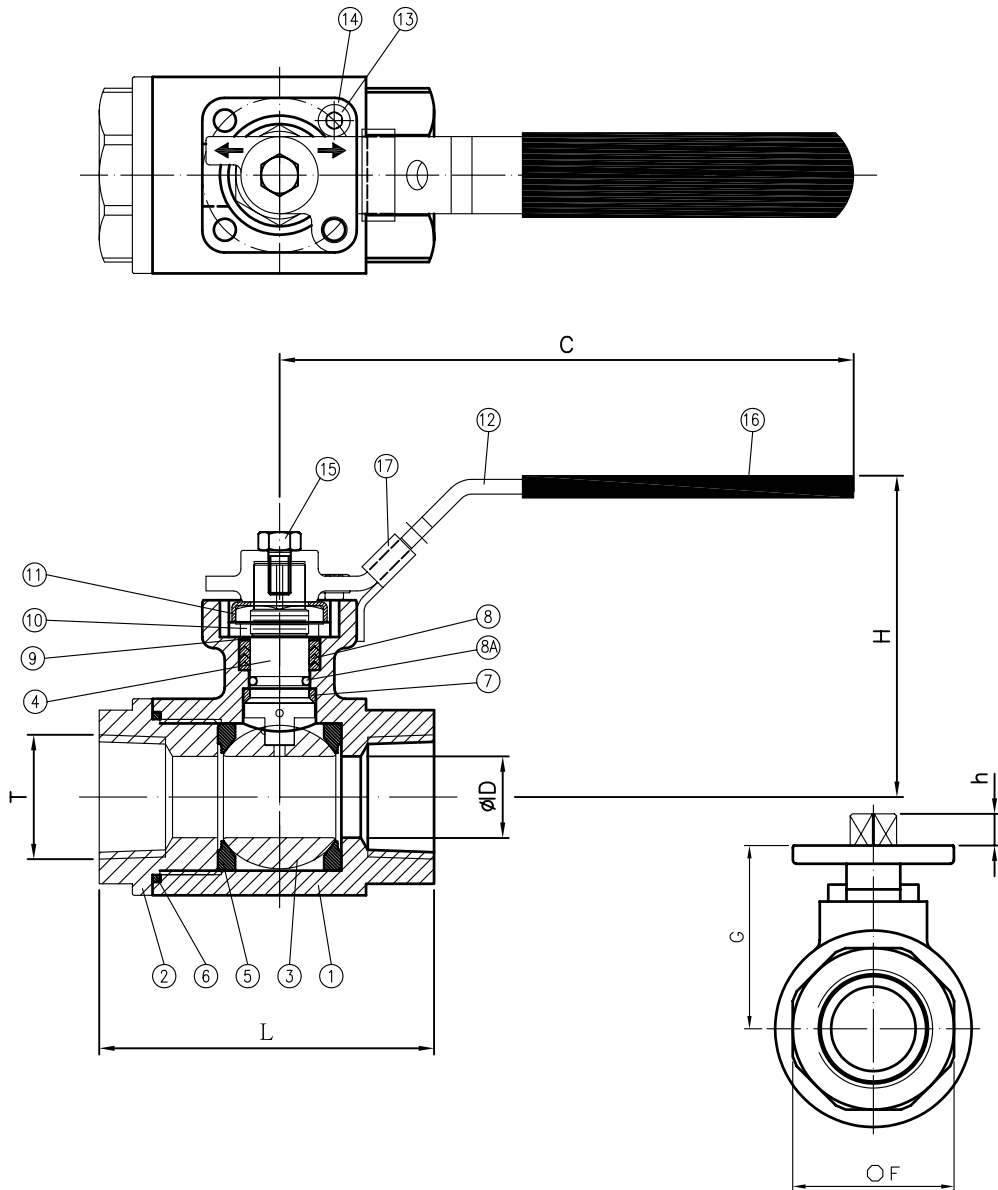
MODEL NO : AF-29

2-PC DIRECT MOUNT BALL VALVE

- Each integrated ISO-5211 Mounting Pad
- Square Stem can be with direct Mount without Bracket/Adaptor.
- Stem is with Blow-out Proof design as well as Anti-Static device.
- Viton O-Ring on Stem gives extra support and assurance of tightness.
- Stem seal is with 45 angle against stem, which increases fighting effect.
- Except actuating service, handle lever is available for Manual Operation
- Working Pressure :3000psi
- SIZE : 1/2 ~ 2RP'
- TEST PRESSURE
SEAT(AIR):80PSI
SHELL(HYDROSTATIC):4500PSI

ITEM	名稱	材質	數量
1	Body	CF8M/WCB	1
2	End Cap	CF8M/WCB	1
3	Ball	CF8M	1
4	Anti Static Stem	SS316	1
5	Ball Seat	DELIN	2
6	Body Seal	PTFE.TEFLON	2
7	Thrust Washer	PTFE.TEFLON	1
8	Stem Packing	PTFE.TEFLON	1
8A	O-ring	VITON	1
9	Thrust Washer	50%SS.50%PTFE	1
10	Stem Nut	SS304	1
11	Lock Saddle	SS304	1
12	Handle	SS304	1
13	Stop Bolt	SS304	1
14	Stop Nut	SS304	1
15	Handle Bolt	SS304	1
16	Handle Sleeve	VINYL	1
*17	Locking Device	SS304	1

*Option



SIZE	ØID	A	B	C	□E	○F	G	h	H	L	T
1/4'	9.7	F03	F04	126	9	25.9	41.0	8	72	75	NPT
3/8'	9.7	F03	F04	126	9	25.9	41.0	8	72	75	
1/2'	12.7	F03	F04	126	9	32.6	41.0	8	72	75	PT
3/4'	17.5	F03	F04	126	9	38.4	43.8	8	73	81	
1'	22.1	F04	F05	156	11	47.2	53.5	10	89	91	PF
1-1/4'	29.0	F04	F05	156	11	58.9	59.0	10	93	110	
1-1/2'	34.7	F05	F07	181	14	66.2	75.2	13	114	121	2999
2RP'	34.7	F05	F07	181	14	82.0	75.2	13	114	145	

REV	DATE	DESCRIPTION	CODE	REVISER	REMARKS	MATERIAL	APPROVE	CHECK	SCALE	UNIT	mm	DATE	Q'TY	REV	F
					1/4"~2"				FREE	UNIT	mm	2004.06.29			Peggy
					3000 PSI				PART NO	AF-29					
					2-pc				OTHER	DWG NO	AF-29	TITLE	2-PC THREAD END BALL VALVE		
					Direct Mount										