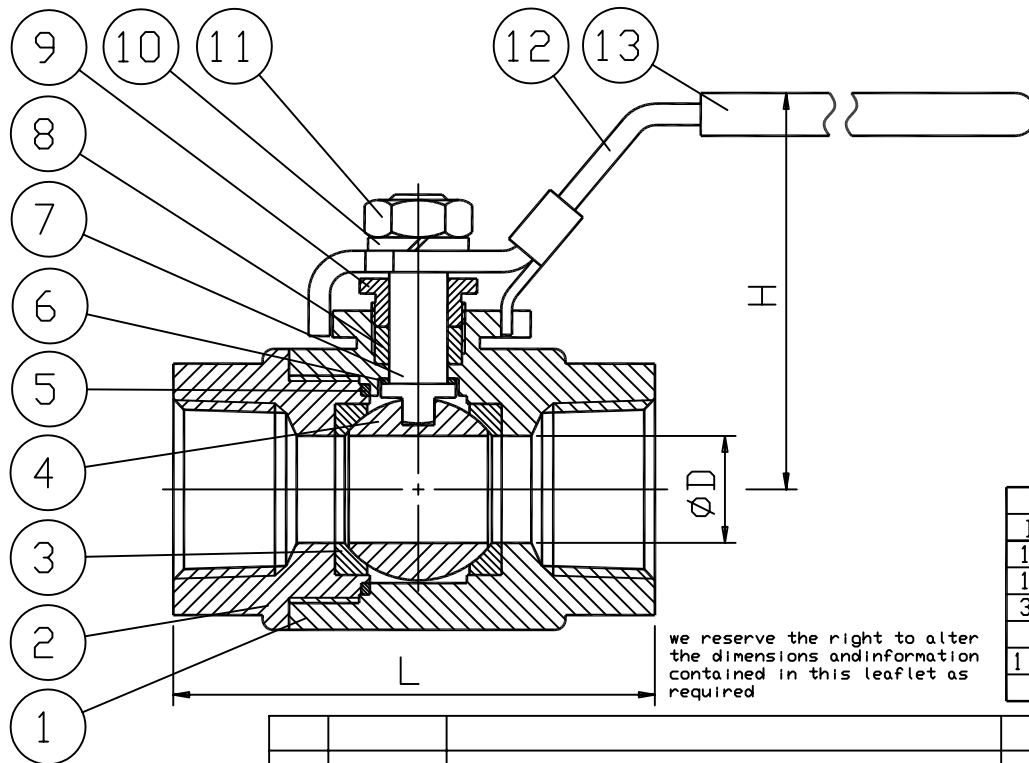


AF-291F

TWO PIECE BALL VALVE, SCREWED ENDS
 ISO 5211 ACTUATOR MOUNTING PAD
 SIZE : 1/4" ~ 1-1/2" FULL PORT
 SIZE : 2" REDUCE PORT
 PRESSURE : 6000 PSI
 ANTISTATIC
 FIRE-SAFE API 607 5th EDITION
 & ISO 10497



we reserve the right to alter the dimensions and information contained in this leaflet as required

ITEM	DESCRIPTION	STAINLESS STEEL	CARBON STEEL	Q' TY
1	BODY	ASTM A351 CF8M	ASTM A216 WCB	1
2	BODY CAP	ASTM A351 CF8M	ASTM A216 WCB	1
3	SEAT	DELRIN		2
4	BALL	ASTM A351 CF8M/316	ASTM A351 CF8/304	1
5-1	THRUST WASHER	PTFE		1
5-2		GRAPHITE		1
6	BODY GASKET	GRAPHITE		1
7	STEM	ASTM A276 316	ASTM A276 304	1
8	STEM PACKING	GRAPHITE		1
9	GLAND	AISI 304		1
10	SPRING WASHER	AISI 304		1
11	HANDLE NUT	AISI 304		1
12	HANDLE	AISI 304		1
13	SLEEVE	VINYL PLASTISOL		1

SIZE		ØD		L		H		W		M	ISO 5211	Weight Kg
IN	DN	IN	MM	IN	MM	IN	MM	IN	MM			
1/4"	8	0.25	6.4	3.00	76.2	1.92	48.8	5.00	127	3xM5	F03	0.6
1/2"	15	0.50	12.7	4.00	101.6	3.45	87.6	7.00	178		F04	1.5
3/4"	20	0.75	19.1	4.25	108.0	4.13	104.9	9.92	252		F05	2.5
1"	25	1.00	25.4	4.50	114.3					3xM8	F07	6.0
1 1/2"	40	1.50	38.1	5.25	133.4						F07	7.5
2"	50			6.25	158.8							

						1/4"~2"	MATERIAL	APPROVE	CHECK	DRAWN BY	Peggy
						6000 PSI		SCALE	FREE	UNIT	mm
						FIRE-SAFE		PART NO	AF-291F		DATE
						API 607	OTHER	DWG NO	AF-AS291A	TITLE	2-PC THREAD END BALL VALVE
REV	DATE	DESCRIPTION	CODE	REVISER	REMARKS			AF Anson Flow Corp.			