

AF-35 SIZE: 1/4"-2" FIRE-SAFE API 607

3-PIECE FULL PORT and STANDARD PORT BALL VALVE  
SCREWED ENDS, BUTT WELDED END, SOCKET WELDED END  
ISO 5211 MOUNTING PAD

DIN 3202-M3 (SCREWED ENDS/SOCKET WELDED ENDS)  
-S13 (BUTT WELDED ENDS)

PRESSURE: 2000 PSIG CLASS 800 W.D.G.

STAINLESS STEEL: 316 BODY, with 316 SS TRIM

CARBON STEEL: WCB BODY, with 316 SS TRIM

REMARK: 1/4" ~ 1/2" FULL BORE - NOT Direct Mounting

1/4" ~ 3/4" REDUCED BORE - NOT Direct Mounting

STANDARDS APPLICABLE

ASME B16.34-STEEL VALVES FLANGED, THREADED, AND WELDING END

ASME B1.20.1-PIPE THREADS, GENERAL PURPOSE

ASME B16.10-FACE TO FACE & END TO END DIMENSIONS OF VALVES

API 598-VALVE INSPECTION AND TESTING

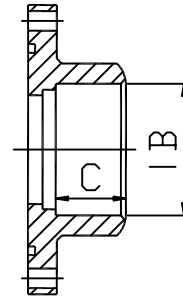
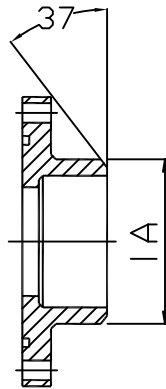
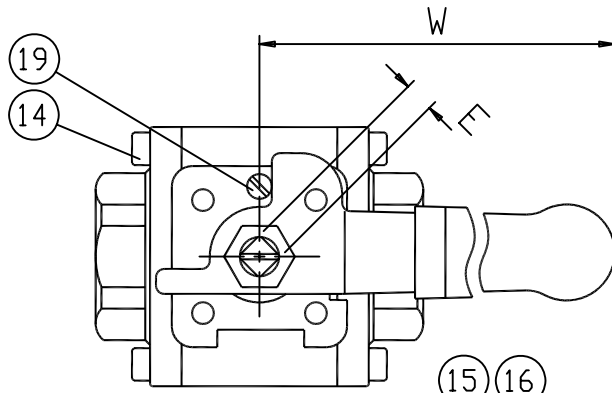
MSS SP72-BALL VALVES WITH FLANGED OR BUTT WELDING

ENDS FOR GENERAL SERVICES

MSS SP25-STANDARD MARKING SYSTEM FOR VALVES FITTINGS,

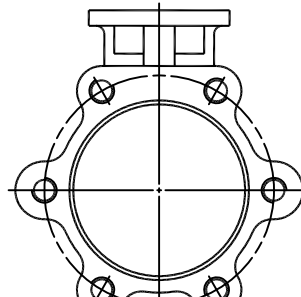
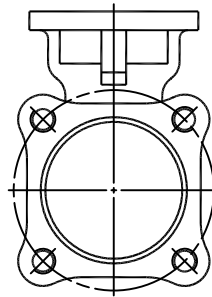
FLANGES AND UNIONS

ITEM	DESCRIPTION	STAINLESS STEEL	CARBON STEEL	Q' TY
1	BODY	ASTM A351 CF8M	ASTM A216 WCB	1
2	END CAP	ASTM A351 CF8M	ASTM A216 WCB	2
3	BALL	ASTM A351 CF8M/316	ASTM A351 CF8M/316/304	1
4	SEAT	PTFE		2
5-1	GASKET	GRAPHITE		2
5-2		PTFE		2
6-1	THRUST WASHER	GRAPHITE		1
6-2		PTFE		1
7	STEM PACKING	GRAPHITE		1
8	GLAND	AISI 304		1
9	BELLEVILLE WASHER	AISI 301		2
10	STEM	ASTM A276 316	ASTM A276 304	1
11	PACKING NUT	AISI 304		1
12	SPRING WASHER	AISI 304		1
13	HANDLE NUT	AISI 304		1
14	BOLT	ASTM A193 B8	ASTM A193 B7	8-12
15	HANDLE	AISI 304	ZINC PLATED STEEL	1
16	HANDLE GRIP	VINYL PLASTISOL		1
17	LOCK SADDLE	AISI 304		1
18	O-RING	VITON		1
19	STOPPER NUT	AISI 304	CARBON STEEL	1
20	ANTI-STATIC DEVICE	AISI 304		1



BUTT WELD

SOCKET WELD

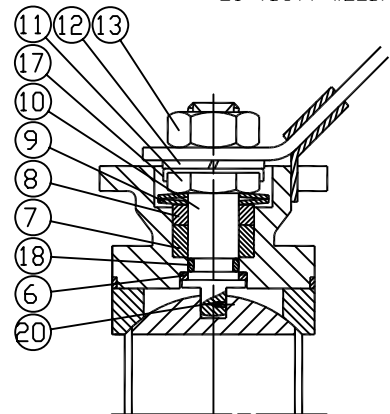
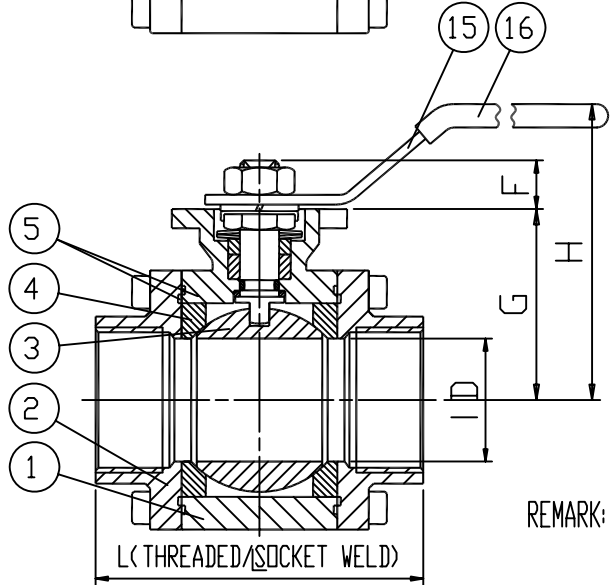


SIZE 1/4"-2"

SIZE 2 1/2"

REMARK: 1/4" ~ 1/2" FULL BORE - NOT Direct Mounting

1/4" ~ 3/4" REDUCED BORE - NOT Direct Mounting



SIZE		ØD		L		L1		E		F		G		H		W		ØA		ØB		C		ISO 5211 (F)	Weights (KG)				
IN	DN	IN	MM	IN	MM	IN	MM	IN	MM	IN	MM	IN	MM	IN	MM	IN	MM	IN	MM	IN	MM	IN	MM						
1/4"	8	0.43	11.0	2.55	65.0	2.75	70.0	0.35	9.0	0.31	8.0	1.47	37.5	2.75	70.0	5.51	140.0	0.54	13.8	0.56	14.2	0.39	10.0	F04	1.1				
3/8"	10																	0.68	17.3	0.69	17.6				1.1				
1/2"	15																	0.85	21.7	0.86	21.8				1.1				
3/4"	20	0.55	14.0	2.95	75.0	2.95	75.0	0.43	11.0	0.43	11.0	1.96	52.0	3.54	90.0	7.08	180.0	1.07	27.2	1.07	27.2	0.59	15.0	F04-F05	1.1				
1"	25	0.80	20.5	3.14	80.0	3.54	90.0											2.36	60.0	3.93	100.0				1.34	34.0	1.33	33.9	1.6
1 1/4"	32	0.98	25.0	3.54	90.0	3.93	100.0											1.68	42.7	1.68	42.7				1.91	48.6	1.92	48.8	2.2
1 1/2"	40	1.24	31.5	4.33	110.0	4.33	110.0	0.55	14.0	0.67	17.0	2.83	72.0	4.40	112.0	8.46	215.0	1.91	48.6	1.92	48.8	0.63	16.0	F07	3.3				
2"	50	1.45	37.0	4.72	120.0	4.92	125.0											2.99	76.0	4.52	115.0				2.38	60.5	2.41	61.2	4.6
2 1/2"	65	1.96	50.0	5.51	140.0	5.90	150.0											3.66	93.0	5.23	133.0				3.00	76.3	2.91	73.9	0.67

REV	DATE	DESCRIPTION	CODE	REVISOR	REMARKS	MATERIAL	APPROVE	CHECK	SCALE	UNIT	DATE	Q'TY	TITLE	DRAWN BY	A
						1/4"-2 1/2"			FREE	mm	2009.07.17		3-PC THREAD END R/P BALL ALVE	lawrence	
						2000 PSI									
						FIRE-SAFE									
						API 607									
		3-PC Fire-safe Ball Valve, Reduced Port													