

MATERIALS LIST

NO.	PART NAME	MATERIAL		Q'TY
1	BODY	ASTM A351 Gr.CF8M	ASTM A216 Gr.WCB	1
4	BALL	ASTM A351 Gr.CF8M	ASTM A351 Gr.CF8	1
5	STEM	SS316	SS304	1
9	END CAP	ASTM A351 Gr.CF8M	ASTM A216 Gr.WCB	1
11	BODY SEAL	GRAPHITE		1
12	SEAT	RTFE.		2
13	THRUST WASHER	GRAPHITE		1
13-1	THRUST WASHER	RTFE.		1
14	STEM PACKING	GRAPHITE		1SET
14-1	STEM PACKING	RTFE.		1
15	GLAND BUSH	SS304		1
19	HANDLE	SS304		1
21	HANDLE COVER	PLASTIC		1
22	STEM NUT	SS304		1
24	HANDLE NUT	SS304		1
28	LOCKING PAD	SS304		1
29	BELLEVILLE WASHER	SS301		2
30	TAB WASHER	SS304		1
33	STOP PIN	SS304		1
35	BODY BOLT	ASTM A193 Gr.B8	ASTM A193 Gr.B7	4
37	BOLT NUT	ASTM A193 Gr.8	ASTM A193 Gr.2HM	4

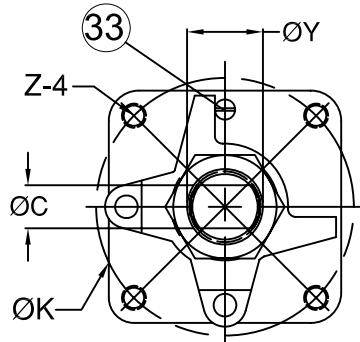
FLANGE DIMENSION: ASME B16.5
FACE TO FACE: ASME B16.10

DIMENSIONS

unit:mm

SIZE	PORT	L	E	H	H2	H4	C	ØY	ØG	ØJ	ØI	T	F	M	ØN	ØK	Z	weight
1/2"	15.0	140.0	132.0	80.0	8.5	38.5	6.4	9.6	95.3	66.5	35.0	14.3	1.6	4	16.0	42.0	M5*0.8P	2.01KG
3/4"	20.0	152.0	132.0	84.5	8.5	42.5	6.4	9.6	117.4	82.6	43.0	15.9	1.6	4	19.1	42.0	M5*0.8P	3.06KG
1"	25.0	165.0	166.0	102.0	12.0	52.0	8.0	11.2	124.0	88.9	51.0	17.5	1.6	4	19.1	50.0	M6*1.0P	4.2KG
1 1/4"	32.0	178.0	166.0	105.0	12.0	56.0	8.0	11.2	133.4	98.6	63.5	19.1	1.6	4	19.1	50.0	M6*1.0P	5.16KG
1 1/2"	38.0	190.0	198.0	125.0	12.0	65.3	9.5	16.0	155.5	114.3	73.2	20.7	1.6	4	22.3	70.0	M8*1.25P	8.04KG
2"	50.0	216.0	198.0	132.0	12.0	73.8	9.5	16.0	165.1	127.0	92.0	22.3	1.6	8	19.1	70.0	M8*1.25P	10.16KG

						1/2"~2"	MATERIAL	APPROVE	CHECK	SCALE	UNIT	mm	DRAWN BY	Lawrence	
						Class300			FREE				DATE	2010/04/02	
						FIRE-SAFE	OTHER	DWG NO	AF-50F	TITLE		2-PC Firesafe Flanged Ball Valve			
									AF-50F		TITLE		2-PC Firesafe Flanged Ball Valve		
REV	DATE	DESCRIPTION				CODE	REVISER	REMARKS							
								AFlow Anson		Anson Flow Corp.					



MATERIALS LIST

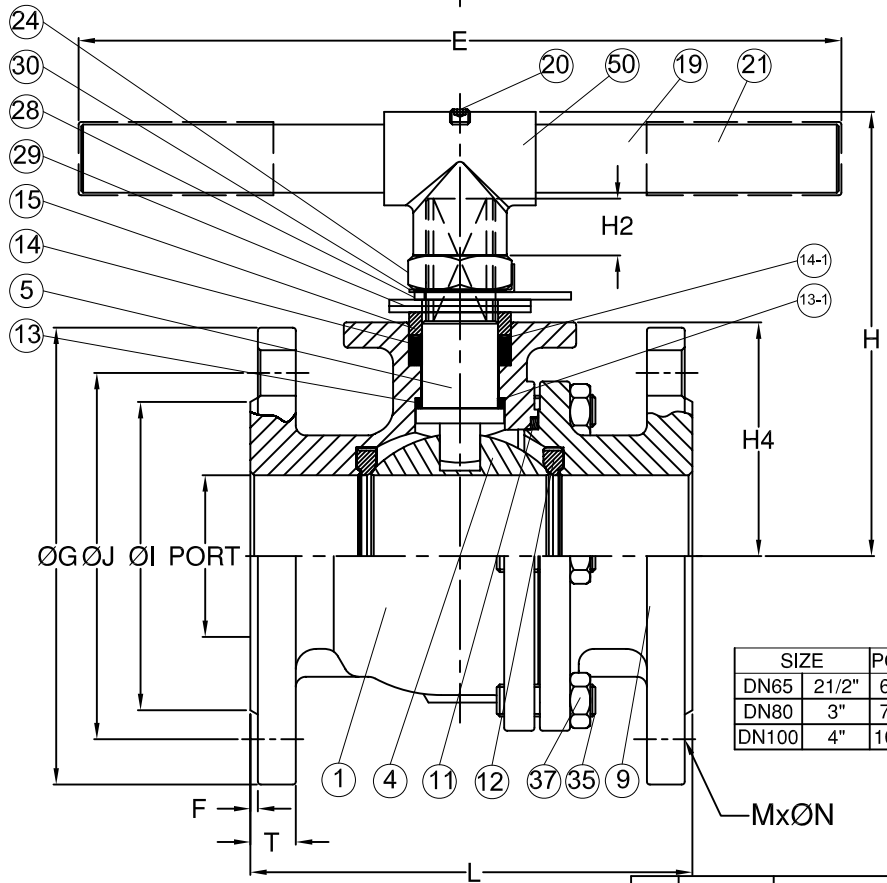
NO.	PART NAME	MATERIAL		Q'TY
1	BODY	ASTM A351 Gr.CF8M	ASTM A216 Gr.WCB	1
4	BALL	ASTM A351 Gr.CF8M	ASTM A351 Gr.CF8	1
5	STEM	SS316	SS304	1
9	END CAP	ASTM A351 Gr.CF8M	ASTM A216 Gr.WCB	1
11	BODY SEAL	GRAPHITE		1
12	SEAT	RTFE.		2
13	THRUST WASHER	GRAPHITE		1
13-1	THRUST WASHER	RTFE.		
14	STEM PACKING	GRAPHITE		1SET
14-1	STEM PACKING	RTFE.		
15	GLAND BUSH	SS304		1
19	HANDLE	LRON		2
20	SET BOLT	SS304		1~2
21	HANDLE COVER	PLASTIC		1
24	HANDLE NUT	SS304		1
28	STOP PLATE	SS304		2
29	BELLEVILLE WASHER	SS301		1
30	TAB WASHER	SS304		1
33	STOP PIN	SS304		6~8
35	BODY BOLT	ASTM A193 Gr.B8	ASTM A193 Gr.B7	6~8
37	BOLT NUT	ASTM A193 Gr.8	ASTM A193 Gr.2HM	1
50	HANDLE ADAPTER	ASTM A351 Gr.CF8		

FLANGE DIMENSION: ASME B16.5
FACE TO FACE: ASME B16.10

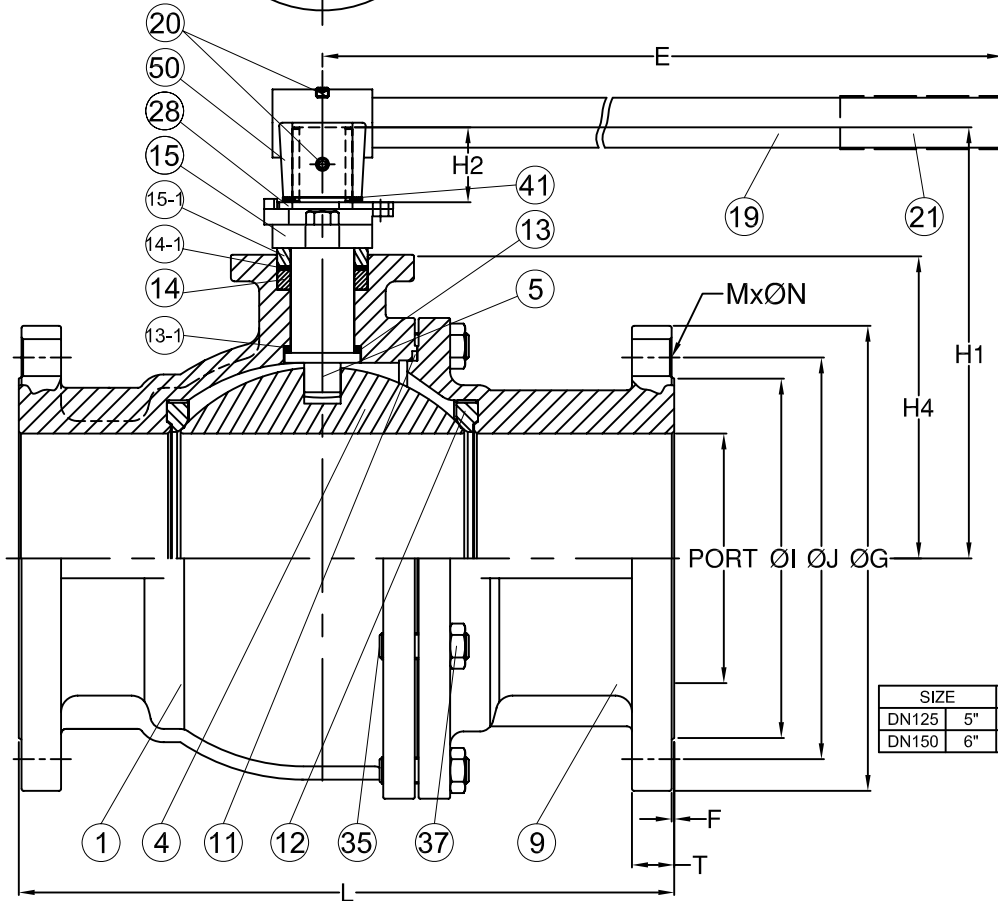
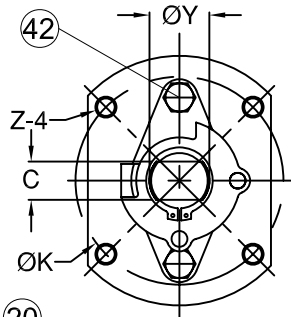
DIMENSIONS

unit:mm

SIZE	PORT	L	E	H	H2	H4	C	ØY	ØG	ØJ	ØI	T	F	M	ØN	ØK	Z	weight	
DN65	2 1/2"	64.0	241.0	300.0	178.0	23.0	92.5	17.0	28.0	190.5	149.4	104.7	25.4	1.6	8	22.3	102.0	M10*1.5P	16.8KG
DN80	3"	76.0	283.0	300.0	188.0	23.0	101.7	17.0	28.0	209.6	168.1	127.0	28.6	1.6	8	22.3	102.0	M10*1.5P	22.8KG
DN100	4"	100.0	305.0	450.0	202.0	23.0	119.0	17.0	28.0	254.0	200.2	157.2	31.8	1.6	8	22.3	102.0	M10*1.5P	36.29KG



REV	DATE	DESCRIPTION	CODE	REVISER	REMARKS	2-1/2"~4"	MATERIAL	APPROVE	CHECK	DRAWN BY	A
						Class300		SCALE	FREE	UNIT	Lawrence
						FIRE-SAFE	OTHER	PART NO	AF-50F	mm	DATE
								DWG NO	AF-50F	⊕ ⊞	2010/04/02
										Q'TY	
										TITLE	2-PC Firesafe Flanged Ball Valve
							AF^{low}_{Inson} Anson Flow Corp.				



MATERIALS LIST

NO.	PART NAME	MATERIAL		Q'TY
1	BODY	ASTM A351 Gr.CF8M	ASTM A216 Gr.WCB	1
4	BALL	ASTM A351 Gr.CF8M	ASTM A351 Gr.CF8	1
5	STEM	SS316	SS304	1
9	END CAP	ASTM A351 Gr.CF8M	ASTM A216 Gr.WCB	1
11	BODY SEAL	GRAPHITE		1
12	SEAT	RTFE.		2
13	THRUST WASHER	GRAPHITE		1
13-1	THRUST WASHER	RTFE.		1
14	STEM PACKING	GRAPHITE		1SET
14-1	STEM PACKING	RTFE.		1
15	GLAND	ASTM A351 Gr.CF8	ASTM A216 Gr.WCB	1
15-1	GLAND BUSH	SS304		1
19	HANDLE	LRON		1
20	SET BOLT	SS304		2
21	HANDLE COVER	PLASTIC		1
28	STOP PLATE	SS304		1
35	BODY BOLT	ASTM A193 Gr.B8	ASTM A193 Gr.B7	8
37	BOLT NUT	ASTM A194 Gr.8	ASTM A193 Gr.2HM	8
41	SNAP RING	SS304		1
42	GLAND BOLT	SS304		2
50	HANDLE ADAPTER	ASTM A351 Gr.CF8		1

FLANGE DIMENSION: ASME B16.5
FACE TO FACE: ASME B16.10

DIMENSIONS

unit:mm

SIZE	PORT	L	E	H1	H2	H4	C	ØY	ØG	ØJ	ØI	T	F	M	ØN	ØK	Z	weight	
DN125	5"	125.0	381.0	600.0	233.0	45.0	163.0	23.0	36.0	279.4	235.0	186.0	35.0	1.6	8	Ø22.3	125	M12*1.75P	60.13KG
DN150	6"	150.0	403.0	800.0	259.0	45.0	182.5	23.0	36.0	317.5	269.8	216.0	36.6	1.6	12	Ø22.3	125	M12*1.75P	

								5"~6"		MATERIAL		APPROVE		CHECK		DRAWN BY		Lawrence		A	
								Class300		SCALE		FREE		UNIT		mm		DATE		2010/04/02	
								FIRE-SAFE		PART NO		AF-50F				Q'TY					
										OTHER		DWG NO		AF-50F		TITLE		2-PC Firesafe Flanged Ball Valve			
REV		DATE		DESCRIPTION		CODE		REVISER		REMARKS											