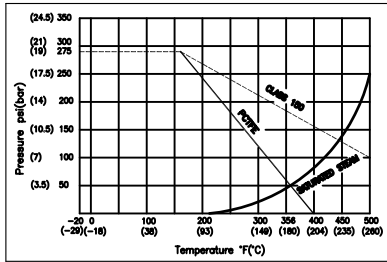
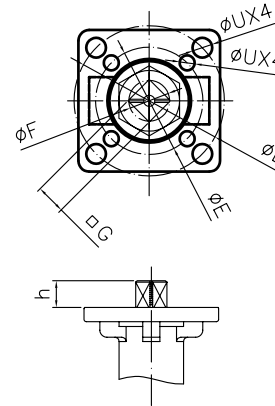
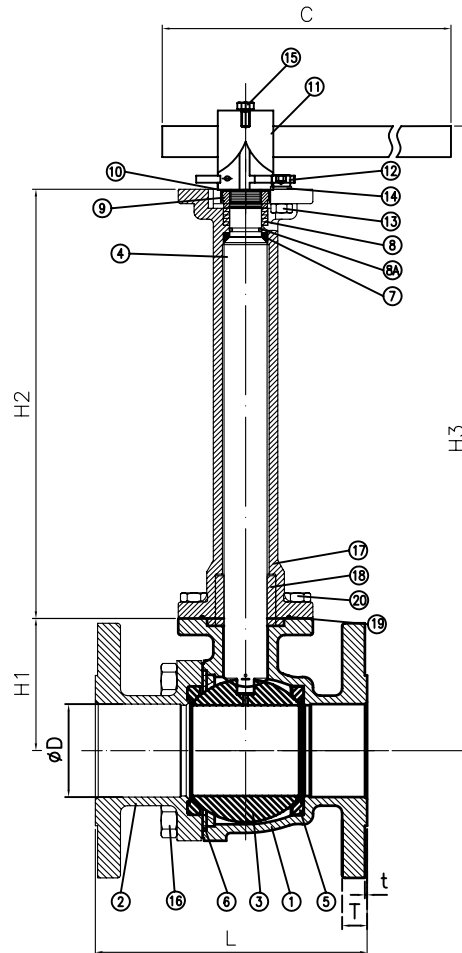
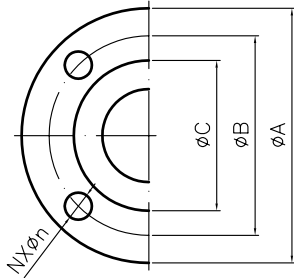
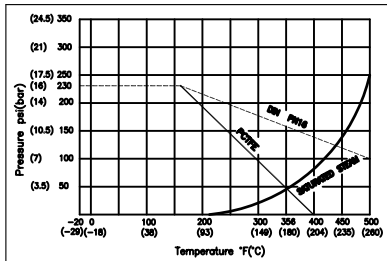




AF-51C ANSI CLASS 150



AF-53C DIN PN16 F4



ITEM	DESCRIPTION	MATERIAL	QTY
1	Body	CF8M	1
2	End Cap	CF8M	2
3	Ball	CF8M	1
4	Anti Static Stem	17-4 PH SS	1
5	Ball Seat	PCrTFE(KEL-F)	2
6	Body Seal	GRAFOIL	2
7	Thrust Washer	PCrTFE(KEL-F)	1
8A	O-Ring	VITON	1
8	Stem Packing	PCrTFE(KEL-F)	5
9	Stem Nut	SS304	1
10	Lock Saddle	SS304	1
11	Handle	SS304	1
12	Stop Bolt	SS304	1
13	Stop Nut	SS304	1
14	Stop Washer	SS304	1
15	Handle Bolt	SS304	1
*16	Body Bolt	SS304	4
17	Extension	CF8M	1
18	Thrust Bearing	25%CARBPN/75%PTFE	1
19	Extension Gasket	GRAFOIL	1
20	Extension Bolt	SS304	4

\*16 Body Bolt 2-1/2" 4  
 3" 6  
 4" 8

DIMENSIONS (mm)

AF-51C ANSI CLASS 150

SIZE	$\phi D$	$\phi C$	$\phi B$	$\phi A$	H1	H2	H3	L	T	t	$\phi n$	N	C	h	$\phi G$	$\phi F$	$\phi E$	U
2-1/2"	65	105	139.5	178.0	92.4	301	438	190.0	17.5	1.6	19	4	295	19	17	22	F07/F10	$\phi 9/\phi 11$
3"	80	127	152.5	190.5	101.9	301	448	203.0	19.1	1.6	19	4	395	19	17	22	F07/F10	$\phi 9/\phi 11$
4"	100	157	190.5	229.0	123.5	301	469	229.0	23.9	1.6	19	8	495	21	22	28	F07/F10	$\phi 9/\phi 11$

DIMENSIONS (mm)

AF-53C DIN PN16 F4

SIZE	$\phi D$	$\phi C$	$\phi B$	$\phi A$	H1	H2	H3	L	T	t	$\phi n$	N	C	h	$\phi G$	$\phi F$	$\phi E$	U
DN65	65	122	145	185	92.4	301	438	170	18	3	18	4	295	19	17	22	F07/F10	$\phi 9/\phi 11$
DN80	80	138	160	200	101.9	301	448	180	20	3	18	8	395	19	17	22	F07/F10	$\phi 9/\phi 11$
DN100	100	158	180	220	123.5	301	469	190	20	3	18	8	495	21	22	28	F07/F10	$\phi 9/\phi 11$

REV	DATE	DESCRIPTION	CODE	REVISER	REMARKS	2-1/2"~4" CLASS 150	MATERIAL	APPROVE	CHECK	DRAWN BY	A
							DN65~DN100 PN16	SCALE	UNIT	DATE	lawrence
								PART NO	AF-51C-9AC000-2A	QTY	2008.12.19
								OTHER	DWG NO	AF-51C-9AC000-2A	TITLE