

MATERIALS LIST

| NO. | PART NAME | MATERIAL |
|-----|-------------------|-------------------|
| 1 | BODY | 1.4408 / EN1503-1 |
| 4 | BALL | CF8M / EN1503-2 |
| 5 | STEM | SS316 |
| 9 | INSERT CAP | 1.4408 / EN1503-1 |
| 11 | BODY SEAL | PTFE. |
| 12 | SEAT | PTFE. |
| 13 | THRUST WASHER | PTFE. |
| 14 | STEM PACKING | PTFE. |
| 15 | GLAND BUSHING | SS304 |
| 19 | HANDLE | SS304 |
| 21 | HANDLE COVER | PVC |
| 24 | HANDLE NUT | SS304 |
| 28 | LOCKING PAD | SS304 |
| 29 | BELLEVILLE WASHER | SS301 |
| 30 | TAB WASHER | SS304 |
| 31 | STEM O-RING | VITON |
| 33 | STOP PIN | SS304 |

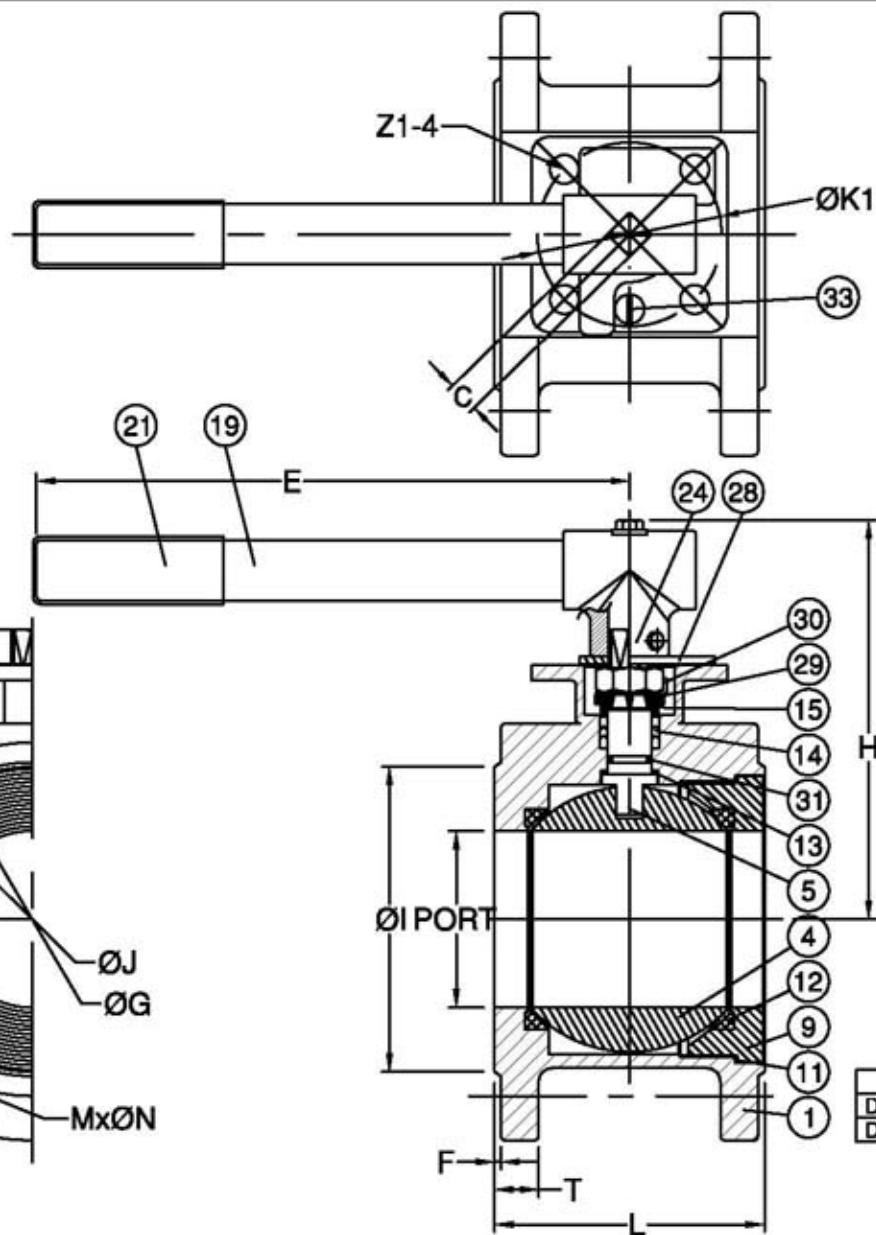
FLANGE DIMENSION: EN1092-1

DIMENSIONS

unit:mm

| SIZE | PORT | L | E | H | H1 | H4 | C | ØG | ØJ | ØI | T | F | MxØN | ØK | ØK1 | Z-4 | Z1-4 | |
|-------|--------|------|-----|-----|------|------|-------|------|------|-----|-----|----|------|-------------|-----|-----|------|---|
| DN15 | 1/2" | 15 | 35 | 112 | 85.0 | 8.50 | 48.0 | 9.0 | 95.0 | 65 | 45 | 16 | 2 | 4xM12-P1.75 | 50 | 36 | 7 | 6 |
| DN20 | 3/4" | 20 | 38 | 112 | 100 | 8.50 | 62.0 | 9.0 | 105 | 75 | 58 | 18 | 2 | 4xM12-P1.75 | 50 | 36 | 7 | 6 |
| DN25 | 1" | 25 | 44 | 136 | 103 | 11.4 | 64.0 | 9.0 | 115 | 85 | 68 | 18 | 2 | 4xM12-P1.75 | 50 | 36 | 7 | 6 |
| DN32 | 1 1/4" | 32 | 54 | 185 | 112 | 11.4 | 71.0 | 9.0 | 140 | 100 | 78 | 18 | 2 | 4xM16-P2.0 | 50 | 36 | 7 | 6 |
| DN40 | 1 1/2" | 38 | 62 | 198 | 118 | 14.0 | 76.0 | 14.0 | 150 | 110 | 88 | 18 | 2 | 4xM16-P2.0 | 70 | 50 | 9 | 7 |
| DN50 | 2" | 50 | 80 | 198 | 128 | 13.7 | 84.5 | 14.0 | 165 | 125 | 102 | 20 | 2 | 4xM16-P2.0 | 70 | 50 | 9 | 7 |
| DN65 | 2 1/2" | 64 | 101 | 265 | 150 | 18.0 | 106.8 | 17.0 | 185 | 145 | 122 | 18 | 2 | 4xM16-P2.0 | 102 | 70 | 11 | 9 |
| DN80 | 3" | 76.5 | 118 | 265 | 160 | 18.0 | 116.0 | 17.0 | 200 | 160 | 138 | 20 | 2 | 8xM16-P2.0 | 102 | 70 | 11 | 9 |
| DN100 | 4" | 97.0 | 150 | 265 | 212 | 18.0 | 154.5 | 17.0 | 220 | 180 | 158 | 20 | 2 | 8xM16-P2.0 | 102 | 70 | 11 | 9 |

| REV | DATE | DESCRIPTION | CODE | REVISER | REMARKS | MATERIAL | APPROVE | CHECK | REV | F |
|-----|------|-----------------------------------------------|------|---------|---------|----------|---------|-----------|------------------|------------------------------|
| | | | | | | | | | DRWN BY | Peggy |
| | | | | | | | SCALE | FREE | UNIT | mm |
| | | | | | | | PART NO | AF-57 | Q'TY | DATE 2008.02.15 |
| | | | | | | OTHER | DWG NO | AF-57-001 | TITLE | WAFLER FLANGE END BALL VALVE |
| | | Wafer Flanged DIN PN16 Full Bore Direct Mount | | | | | | | Anson Flow Corp. | |



MATERIALS LIST

| NO. | PART NAME | MATERIAL |
|-----|-------------------|-------------------|
| 1 | BODY | 1.4408 / EN1503-1 |
| 4 | BALL | CF8M / EN1503-2 |
| 5 | STEM | SS316 |
| 9 | INSERT CAP | 1.4408 / EN1503-1 |
| 11 | BODY SEAL | PTFE. |
| 12 | SEAT | PTFE. |
| 13 | THRUST WASHER | PTFE. |
| 14 | STEM PACKING | PTFE. |
| 15 | GLAND BUSHING | SS304 |
| 19 | HANDLE | SS304 |
| 21 | HANDLE COVER | PVC |
| 24 | HANDLE ADAPTER | SS304 |
| 28 | LOCKING PAD | SS304 |
| 29 | BELLEVILLE WASHER | SS301 |
| 30 | TAB WASHER | SS304 |
| 31 | STEM O-RING | VITON |
| 33 | STOP PIN | SS304 |

FLANGE DIMENSION: EN1092-1

DIMENSIONS

unit:mm

| SIZE | PORT | L | E | H | H1 | H4 | C | ØG | ØJ | ØI | T | F | MxØN | ØK1 | Z1-4 | |
|-------|------|-----|-----|-----|-----|----|-------|------|-----|-----|-----|----|------|------------|------|------|
| DN125 | 5" | 118 | 118 | 400 | 160 | 30 | 194.0 | 27.0 | 250 | 210 | 188 | 22 | 2 | 8xM16-P2.0 | 125 | 14.0 |
| DN150 | 6" | 138 | 150 | 600 | 212 | 30 | 213.0 | 27.0 | 285 | 240 | 212 | 22 | 2 | 8xM20-P2.0 | 125 | 14.0 |

| REV | DATE | DESCRIPTION | CODE | REVISER | REMARKS | MATERIAL | APPROVE | CHECK | SCALE | UNIT | mm | DATE | 2008.02.15 | Q'TY | WAVER FLANGE END BALL VALVE |
|-----|------|-----------------------------------------------|------|---------|---------|----------|---------|-------|---------|-----------|-------|------|------------|------|-----------------------------|
| | | Wafer Flanged DIN PN16 Full Bore Direct Mount | | | | | | | FREE | UNIT | mm | | | | |
| | | | | | | | | | PART NO | AF-57 | | | | | |
| | | | | | | | | | DWG NO | AF-57-002 | TITLE | | | | |
| | | | | | | | | | | | | | | | |