

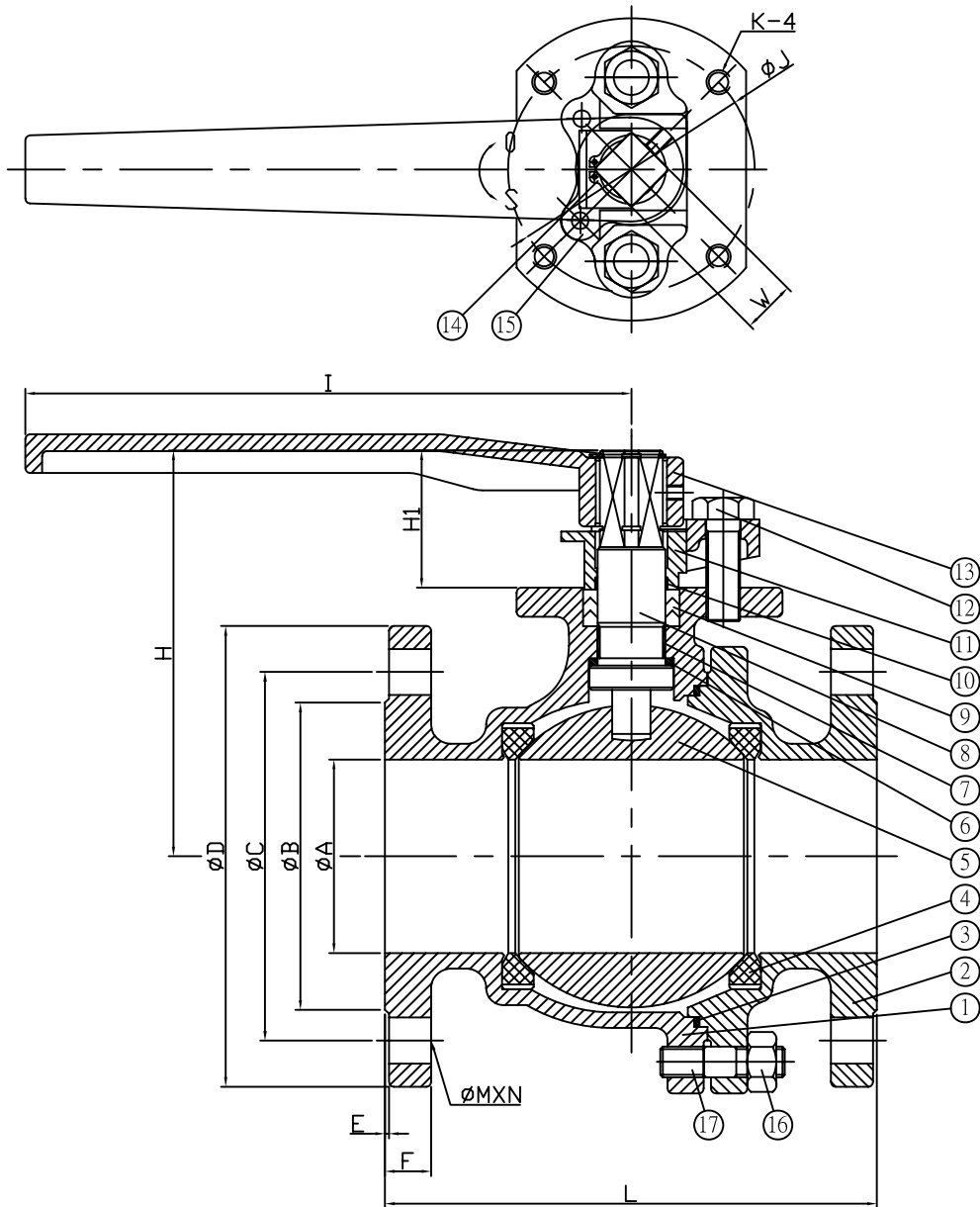
### MATERIAL LIST

NO.	PART NAME	MATERIAL
1	BODY	EN10213-2 1.4408
2	CAP	EN10213-2 1.4408
3	BODY SEAL	GRAFOIL+SS316
4	SEAT	PTFE+15%GF
5	BALL	CF8M
6	THRUST WASHER	PTFE.+GRAFOIL
7	STEM BUSHING	PTFE
8	STEM	SS 316
9	PACKING	PTFE+GRAFOIL
10	BEARING	PTFE
11	GLAND	SS 304
12	BOLT	SS 304
13	HANDLE	FCD45
14	C-RING	SS 304
15	STOPPER	SS 304
16	NUT	Gr.8
17	STUD	B8

### DIMENSIONS

Valve Size	A	B	C	D	E	F		H	H1	I	J	K	L	w	ØM-N
						PN16	PN40								
DN15	15.0	45.0	65.0	95.0	2.0	14.0	16.0	65.7	22.7	130.0	42.0	M6	115.0	11.0	Ø14-4
DN20	20.0	54.0	75.0	105.0	2.0	16.0	18.0	68.2	22.5	130.0	42.0	M6	120.0	11.0	Ø14-4
DN25	25.0	65.0	85.0	115.0	2.0	16.0	18.0	80.6	29.3	160.0	50.0	M6	125.0	14.0	Ø14-4
DN32	32.0	76.0	100.0	140.0	2.0	16.0	18.0	86.5	29.3	160.0	50.0	M6	130.0	14.0	Ø18-4
DN40	38.0	82.0	110.0	150.0	2.0	16.0	18.0	108.9	38.4	200.0	70.0	M8	140.0	17.0	Ø18-4
DN50	50.0	97.0	125.0	165.0	2.0	18.0	20.0	116.5	38.4	200.0	70.0	M8	150.0	17.0	Ø18-4

REV	DATE	DESCRIPTION	CODE	REVISER	REMARKS	MATERIAL	APPROVE	CHECK	SCALE	UNIT	mm	Q'TY	DATE	2002.11.18	2-PC FLANGED END BALL VALVE
						DIN PN10~40 Flanged Ball DN15-50			FREE	UNIT	mm				
									PART NO	AF-52F	Ø				
									OTHER	DWG NO	AF-52F	TITLE			
									<b>AF</b> Anson Flow Corp.						



### MATERIAL LIST

NO.	PART NAME	MATERIAL
1	BODY	EN10213-2 1.4408
2	CAP	EN10213-2 1.4408
3	BODY SEAL	GRAFOIL+SS316
4	SEAT	PTFE+15%GF
5	BALL	CF8M
6	THRUST WASHER	PTFE.+GRAFOIL
7	STEM BUSHING	PTFE
8	STEM	SS 316
9	PACKING	PTFE+GRAFOIL
10	BEARING	PTFE
11	GLAND	SS 304
12	BOLT	SS 304
13	HANDLE	FCD45
14	C-RING	SS 304
15	STOPPER	SS 304
16	NUT	Gr.8
17	STUD	B8

### DIMENSIONS

Valve Size	A	B		C		D		E	F		H	H1	I	J	K	L	W	phi M-N	
		PN16	PN40	PN16	PN40	PN16	PN40		PN16	PN40								PN16	PN40
DN65	63.0	122.0	122.0	145.0	145.0	185.0	185.0	2.0	18.0	22.0	139.0	38.4	200.0	70.0	M8	170.0	17.0	phi 18-4	phi 18-8
DN80	80.0	138.0	138.0	160.0	160.0	200.0	200.0	2.0	20.0	24.0	169.4	58.3	330.0	102.0	M10	180.0	22.0	phi 18-8	phi 18-8
DN100	98.0	158.0	162.0	180.0	190.0	220.0	235.0	2.0	20.0	24.0	193.3	60.3	330.0	102.0	M10	190.0	22.0	phi 18-8	phi 22-8
DN125	125.0	188.0	188.0	210.0	220.0	250.0	270.0	2.0	22.0	26.0	237.0	75.0	753.5	125.0	M12	325.0	27.0	phi 18-8	phi 26-8
DN150	150.0	212.0	218.0	240.0	250.0	285.0	300.0	2.0	22.0	28.0	256.0	75.0	753.5	125.0	M12	350.0	27.0	phi 22-8	phi 26-8

REV	DATE	DESCRIPTION	CODE	REVISER	REMARKS	DIN	MATERIAL	APPROVE	CHECK	REV	F	
						PN10~40		SCALE	FREE	UNIT	mm	
						Flanged		PART NO	AF-52F		Q'TY	
						Ball	OTHER	DWG NO	AF-52F	TITLE	2-PC FLANGED END BALL VALVE	
						DN65-150		<b>AF</b> Inson				Anson Flow Corp.